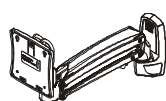
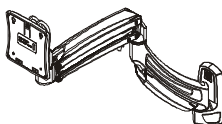


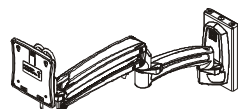
# INSTALLATION INSTRUCTIONS



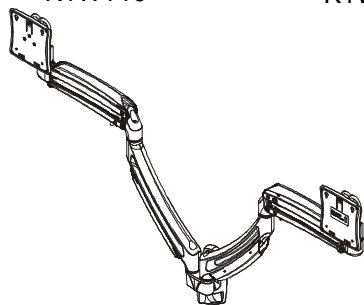
K1W110



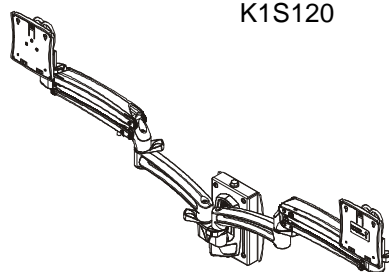
K1W120



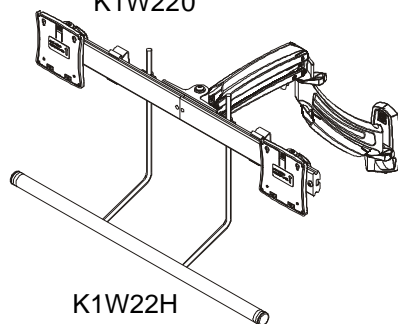
K1S120



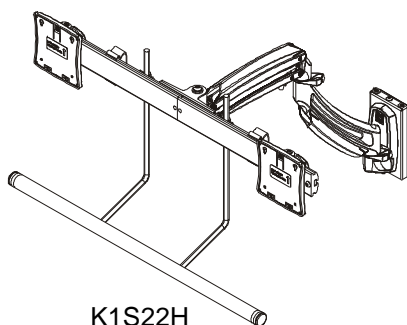
K1W220



K1S220



K1W22H



K1S22H


## K1W/K1S Wall Mounts


**DISCLAIMER**


Milestone AV Technologies and its affiliated corporations and subsidiaries (collectively “Milestone”), intend to make this manual accurate and complete. However, Milestone makes no claim that the information contained herein covers all details, conditions or variations, nor does it provide for every possible contingency in connection with the installation or use of this product. The information contained in this document is subject to change without notice or obligation of any kind. Milestone makes no representation of warranty, expressed or implied, regarding the information contained herein. Milestone assumes no responsibility for accuracy, completeness or sufficiency of the information contained in this document.


Chief® is a registered trademark of Milestone AV Technologies. All rights reserved.


 **IMPORTANT SAFETY INSTRUCTIONS!**


 **WARNING:** A WARNING alerts you to the possibility of serious injury or death if you do not follow the instructions.


 **CAUTION:** A CAUTION alerts you to the possibility of damage or destruction of equipment if you do not follow the corresponding instructions.


 **WARNING:** Failure to read, thoroughly understand, and follow all instructions can result in serious personal injury, damage to equipment, or voiding of factory warranty! It is the installer’s responsibility to make sure all components are properly assembled and installed using the instructions provided.

 **WARNING:** Failure to provide adequate structural strength for this component can result in serious personal injury or damage to equipment! It is the installer’s responsibility to make sure the structure to which this component is attached can support five times the combined weight of all equipment. Reinforce the structure as required before installing the component.

 **WARNING:** Use this mounting system only for its intended use as described in these instructions. Do not use attachments not recommended by the manufacturer.

 **WARNING:** Never operate this mounting system if it is damaged. Return the mounting system to a service center for examination and repair.

 **WARNING:** Do not use this product outdoors.

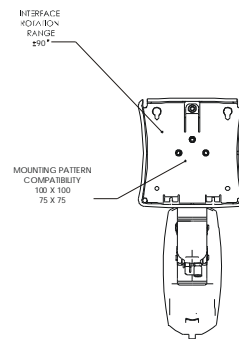
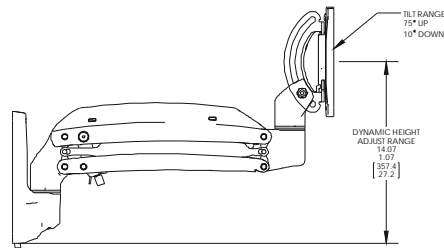
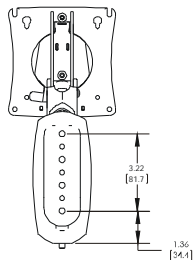
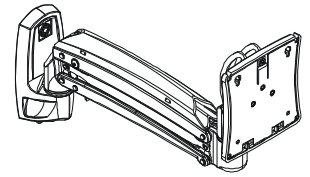
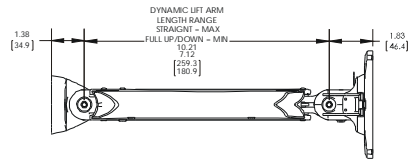
 **WARNING:** Exceeding the weight capacity can result in serious personal injury or damage to equipment! It is the installer’s responsibility to make sure the combined weight of all components attached to the K1W/K1S Series Monitor Arm up to (and including) the display does not exceed the weight limits listed below. Use with products heavier than the maximum weight indicated may result in collapse of the mount and its accessories causing possible injury.

MODEL	Max Weight Allowed for <u>EACH</u> Display	Max Weight Capacity of Mounting System
K1W110	25 lbs (11.34 kg)	25 lbs (11.34 kg)
K1W120	25 lbs (11.34 kg)	25 lbs (11.34 kg)
K1S120	25 lbs (11.34 kg)	25 lbs (11.34 kg)
K1W220	25 lbs (11.34 kg)	50 lbs (22.68 kg)
K1S220	25 lbs (11.34 kg)	50 lbs (22.68 kg)
K1W22H	9 lbs (4.08 kg)	18 lbs (8.16 kg)
K1S22H	9 lbs (4.08 kg)	18 lbs (8.16 kg)

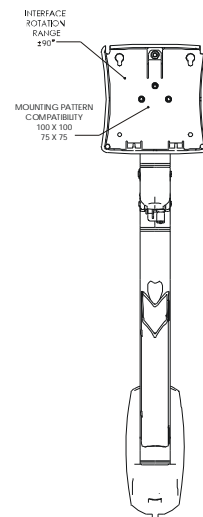
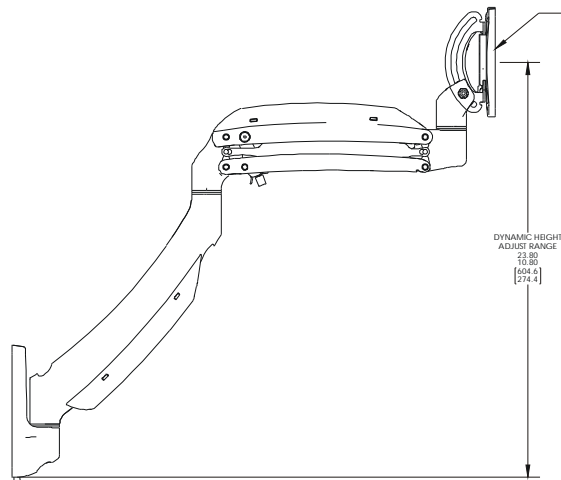
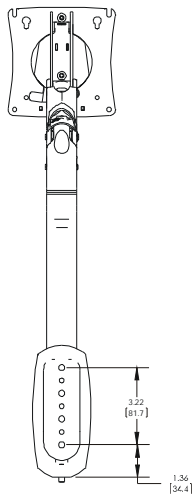
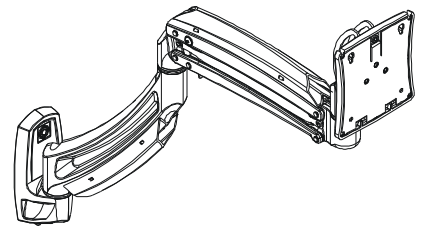
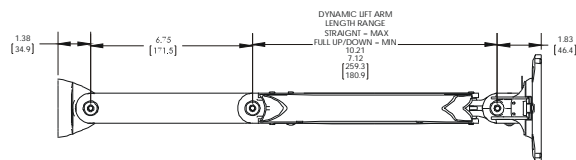
**--SAVE THESE INSTRUCTIONS!--**

**DIMENSIONS**

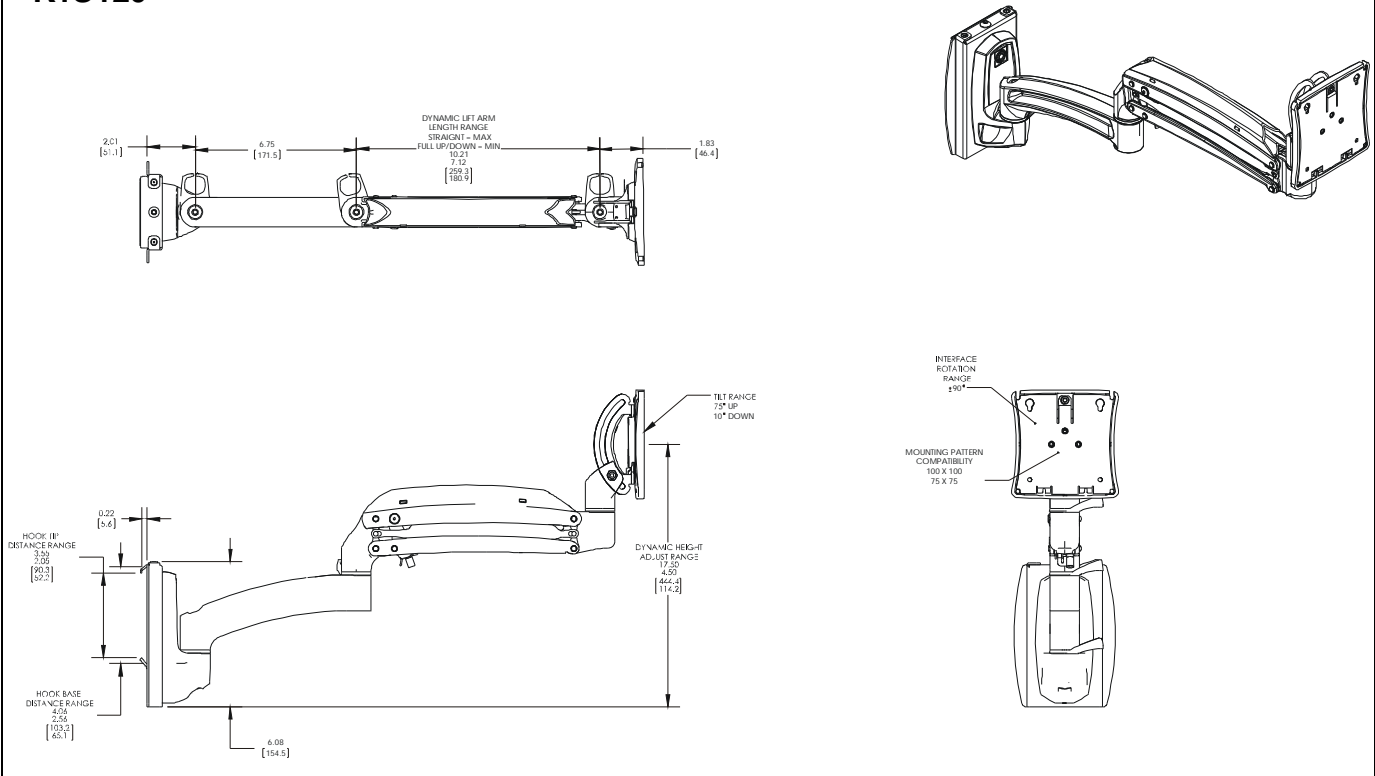
**K1W110**



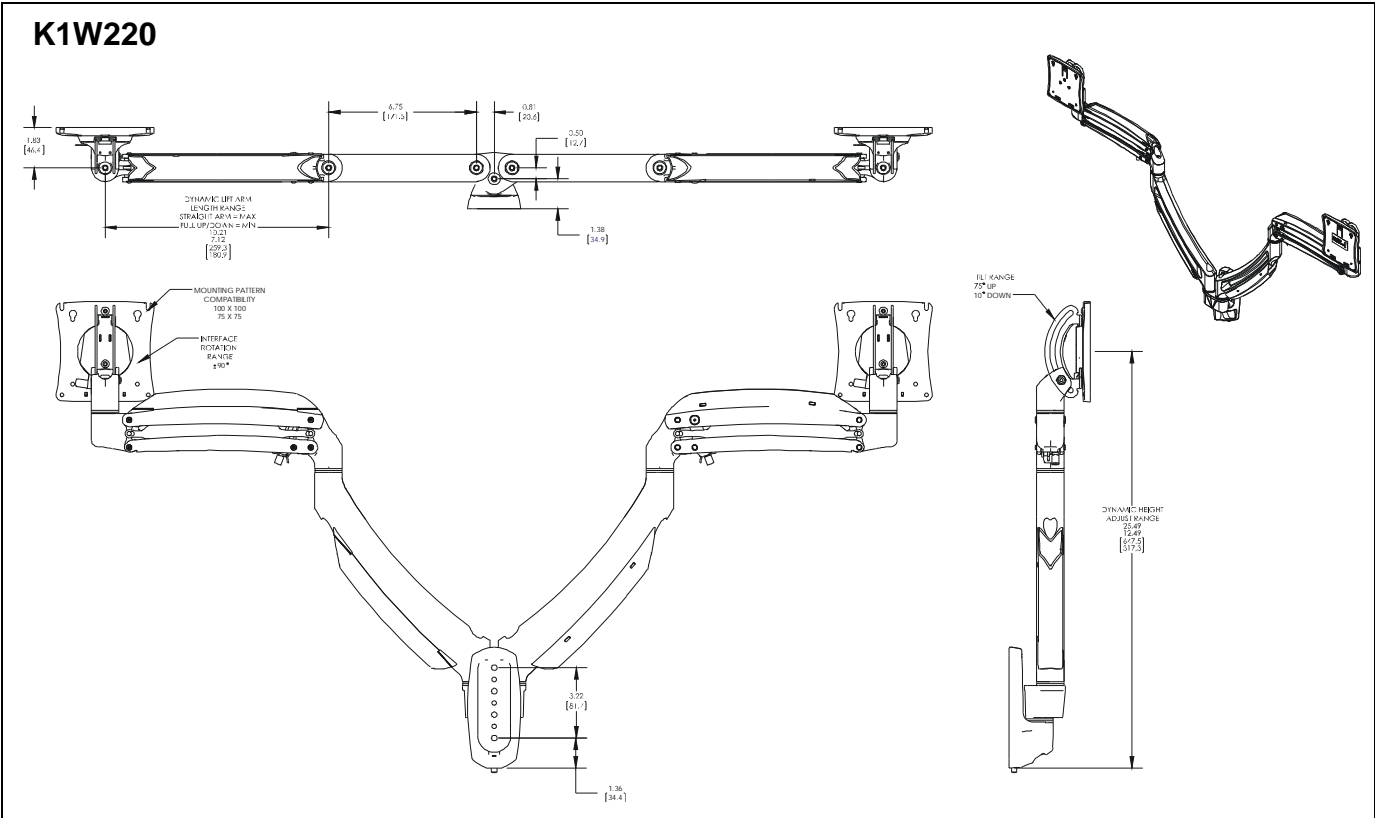
**K1W120**



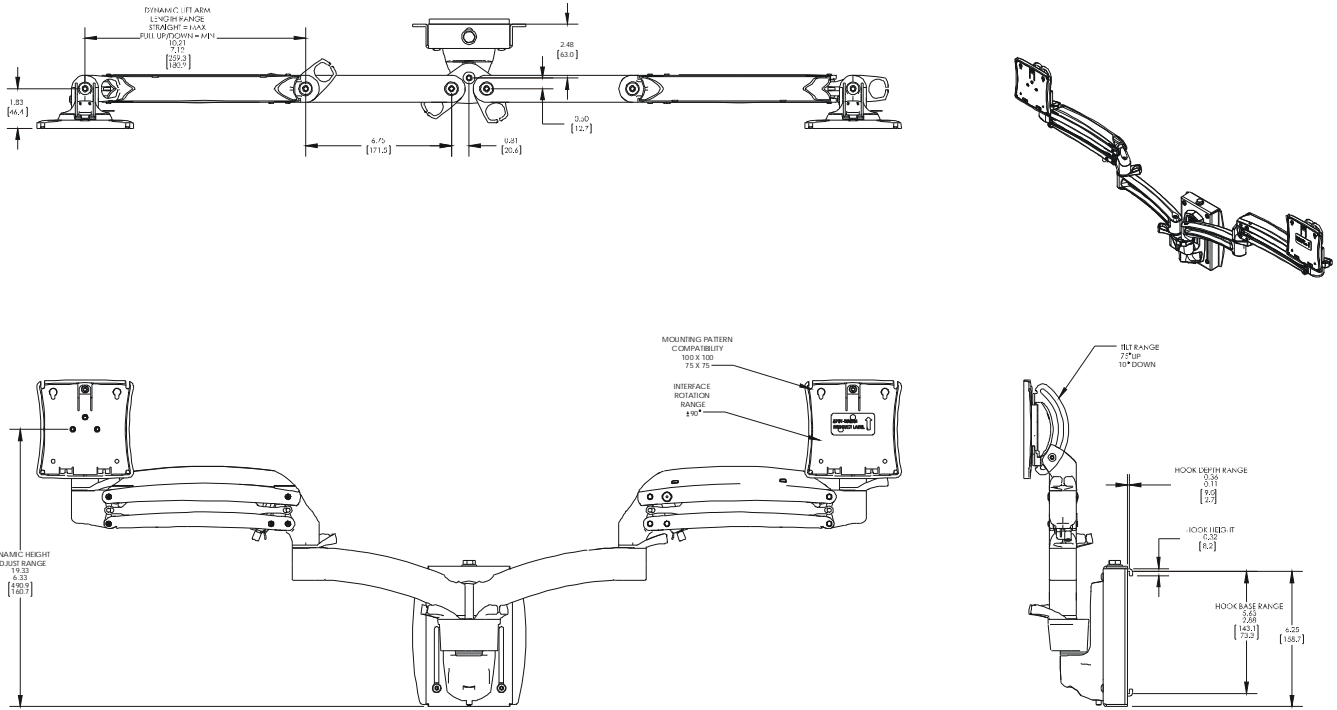
**K1S120**



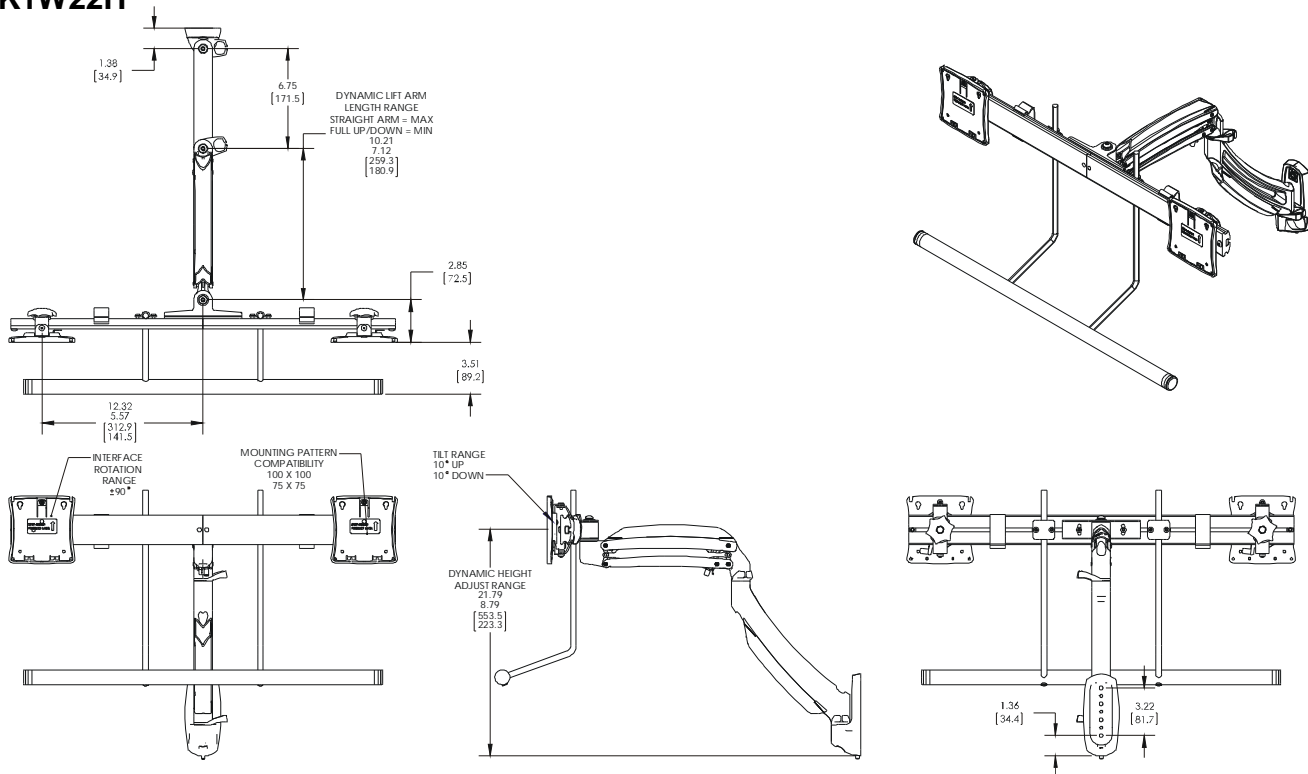
**K1W220**



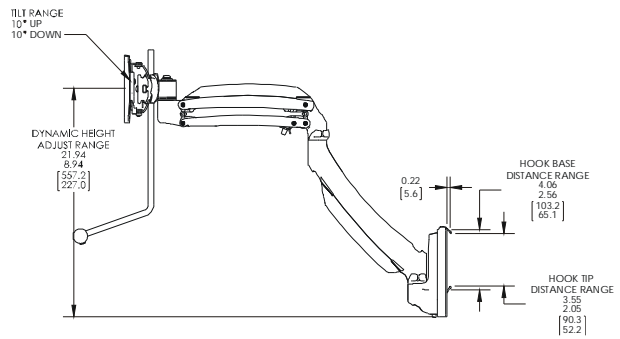
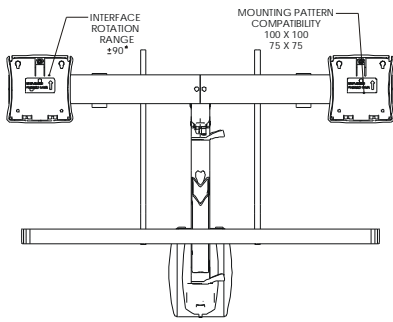
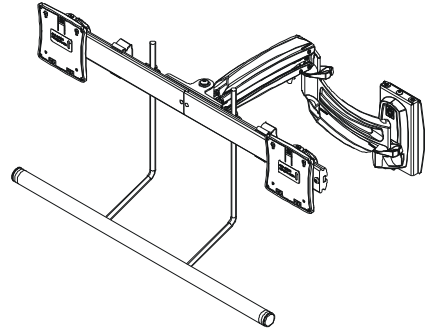
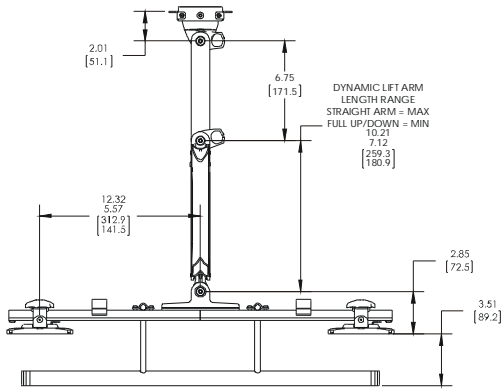
**K1S220**



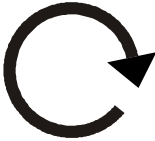

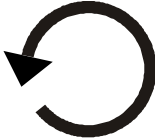









**K1W22H**



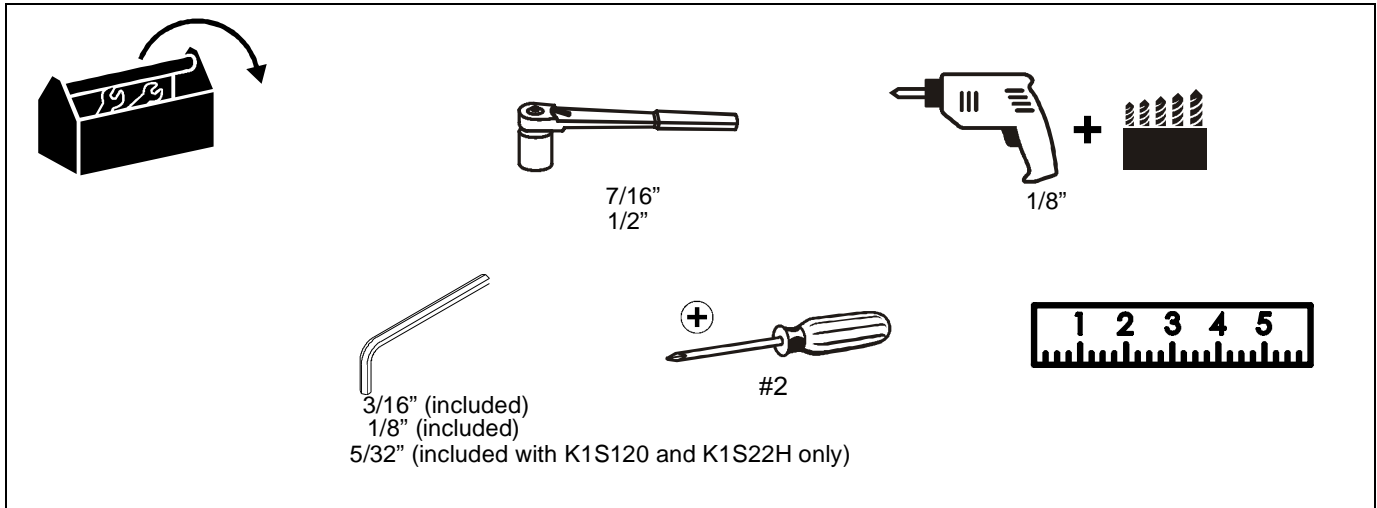
**K1S22H**



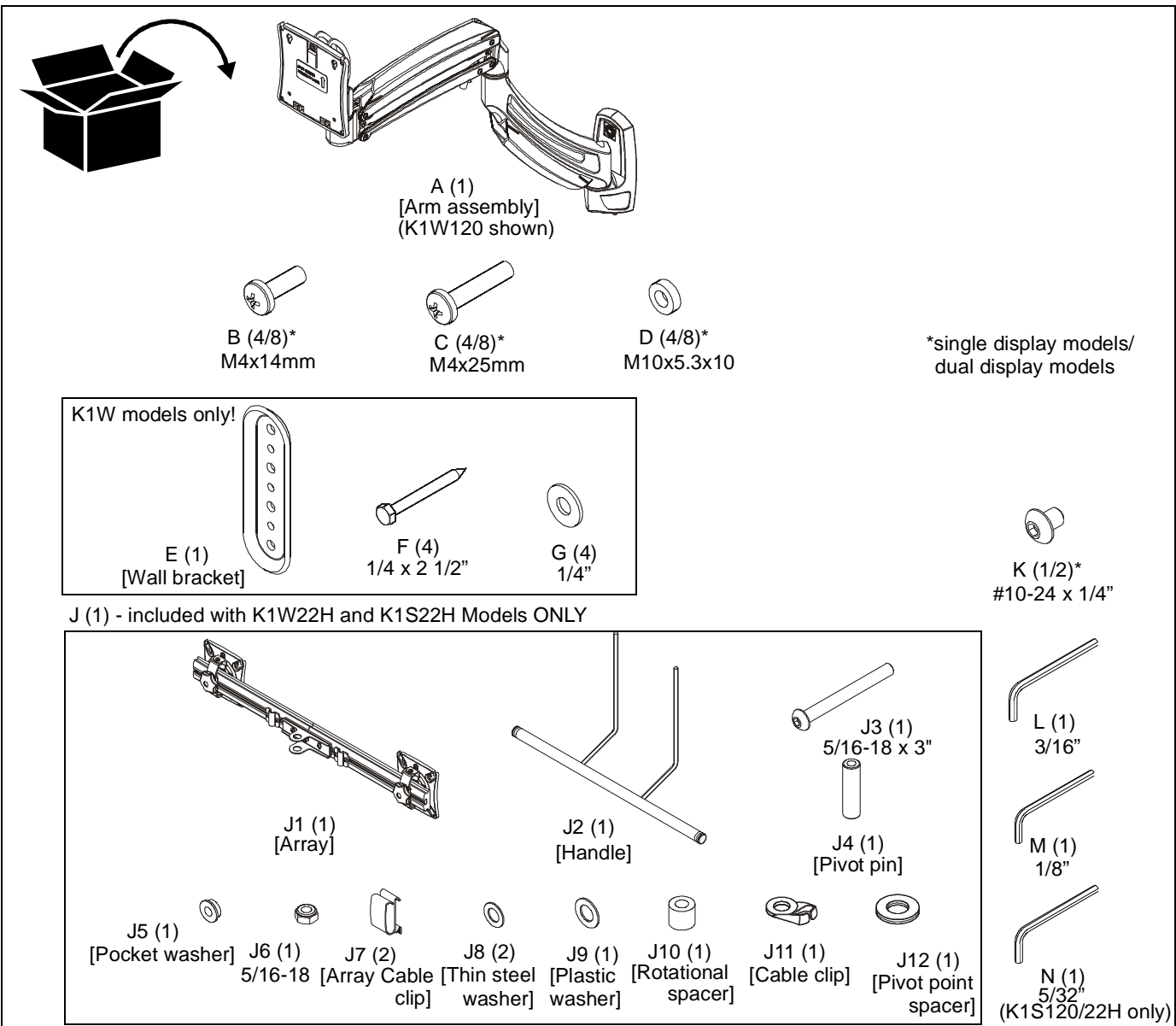
**LEGEND**

	<p><b>Tighten Fastener</b></p> <p>Apretar elemento de fijación</p> <p>Befestigungsteil festziehen</p> <p>Apertar fixador</p> <p>Serrare il fissaggio</p> <p>Bevestiging vastdraaien</p> <p>Serrez les fixations</p>		<p><b>Pencil Mark</b></p> <p>Marcar con lápiz</p> <p>Stiftmarkierung</p> <p>Marcar com lápis</p> <p>Segno a matita</p> <p>Potloodmerkteken</p> <p>Marquage au crayon</p>
	<p><b>Loosen Fastener</b></p> <p>Aflojar elemento de fijación</p> <p>Befestigungsteil lösen</p> <p>Desapertar fixador</p> <p>Allentare il fissaggio</p> <p>Bevestiging losdraaien</p> <p>Desserrez les fixations</p>		<p><b>Drill Hole</b></p> <p>Perforar</p> <p>Bohrloch</p> <p>Fazer furo</p> <p>Praticare un foro</p> <p>Gat boren</p> <p>Percez un trou</p>
	<p><b>Phillips Screwdriver</b></p> <p>Destornillador Phillips</p> <p>Kreuzschlitzschraubendreher</p> <p>Chave de fendas Phillips</p> <p>Cacciavite a stella</p> <p>Kruiskopschroevendraaier</p> <p>Tournevis à pointe cruciforme</p>		<p><b>Adjust</b></p> <p>Ajustar</p> <p>Einstellen</p> <p>Ajustar</p> <p>Regolare</p> <p>Afstellen</p> <p>Ajuster</p>
	<p><b>Open-Ended Wrench</b></p> <p>Llave de boca</p> <p>Gabelschlüssel</p> <p>Chave de bocas</p> <p>Chiave a punte aperte</p> <p>Steeksleutel</p> <p>Clé à fourche</p>		<p><b>Remove</b></p> <p>Quitar</p> <p>Entfernen</p> <p>Remover</p> <p>Rimuovere</p> <p>Verwijderen</p> <p>Retirez</p>
	<p><b>By Hand</b></p> <p>A mano</p> <p>Von Hand</p> <p>Com a mão</p> <p>A mano</p> <p>Met de hand</p> <p>À la main</p>		<p><b>Optional</b></p> <p>Opcional</p> <p>Optional</p> <p>Opcional</p> <p>Opzionale</p> <p>Optie</p> <p>En option</p>
	<p><b>Hex-Head Wrench</b></p> <p>Llave de cabeza hexagonal</p> <p>Sechskantschlüssel</p> <p>Chave de cabeça sextavada</p> <p>Chiave esagonale</p> <p>Zeskantsleutel</p> <p>Clé à tête hexagonale</p>		<p><b>Security Wrench</b></p> <p>Llave de seguridad</p> <p>Sicherheitsschlüssel</p> <p>Chave de segurança</p> <p>Chiave di sicurezza</p> <p>Veiligheidssleutel</p> <p>Clé de sécurité</p>

**TOOLS REQUIRED FOR INSTALLATION**



**PARTS**





### Assembly And Installation

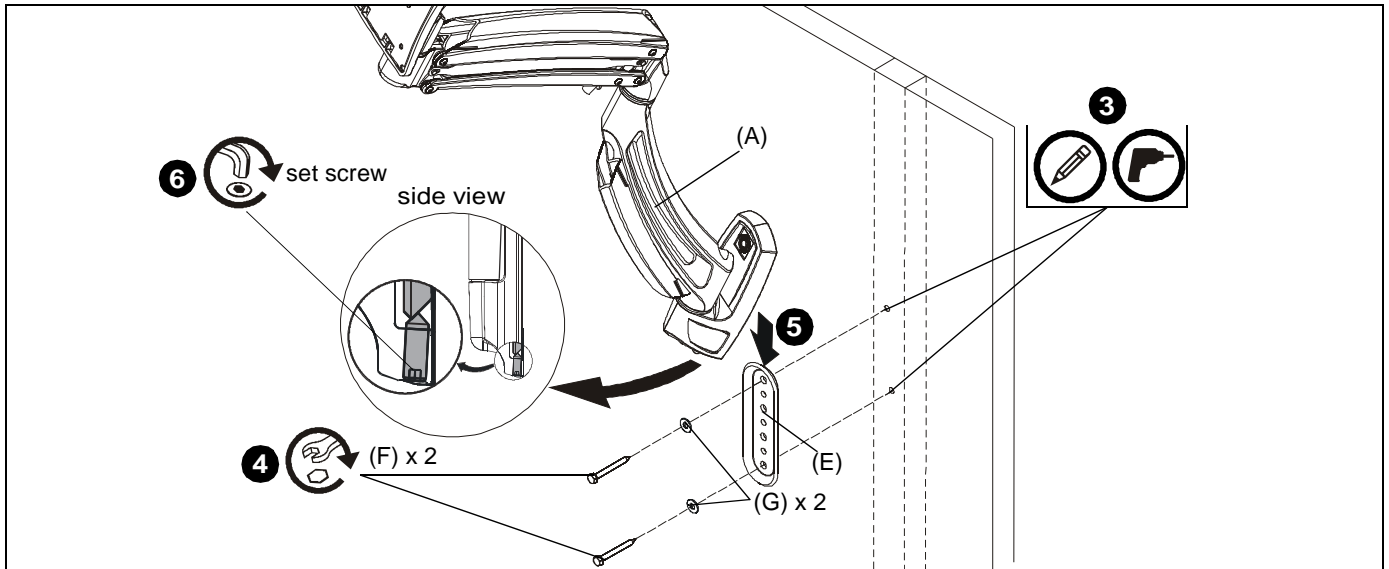


Figure 1

#### Connecting K1W Series (wall mount) to Wall

1. Determine mounting location on wall.
2. Use a stud finder to locate 2" x 4" wood stud.
3. Use wall bracket (E) to mark and drill two 1/8" x 2 1/2" holes in wall at desired mounting location. (See Figure 1)

**IMPORTANT !** : Only top and bottom holes of wall bracket (E) must be used to attach bracket to wall as shown in Figure 1. Do NOT use any other holes to secure bracket to wall!

4. Use two 1/4-2 1/2" hex head lag screws (F) and two 1/4" washers (G) to install wall bracket (E) onto wall. (See Figure 1)

**IMPORTANT !** : Over tightening screws (F) may cause bracket to compress into soft wall surface resulting in difficult mount installation or improper engaging of set screw in Step 6.

5. Hang monitor arm (A) over wall bracket (E). (See Figure 1)
6. Secure monitor arm to wall bracket (E) by tightening set screw. Ensure set screw engages back side of wall bracket (E) to properly secure mount. (See Figure 1)

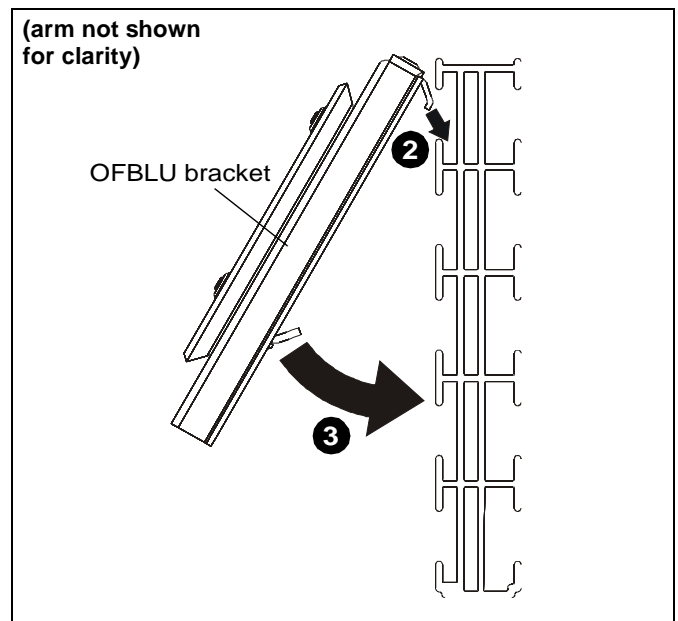


Figure 2

#### Connecting K1S Series to Office Furniture

**NOTE:** K1S220 has an OFBU bracket instead of an OFBLU bracket. Proceed to K1S220 section if installing K1S220.

#### K1S120 and K1S22H

1. Determine mounting location.
2. Hang OFBLU bracket onto slat wall at desired mounting location by inserting the upper mounting plate into wall track. (See Figure 2)
3. Let lower mounting plate rest against slat wall.

4. Using 5/32" hex key (N), turn adjustment screw clockwise to lower mounting plate until it is able to easily slide into wall track. (See Figure 3)
5. Using 5/32" hex key (N), turn adjustment screw counter-clockwise to raise lower mounting plate until bracket is fully secured to slat wall. (See Figure 3)

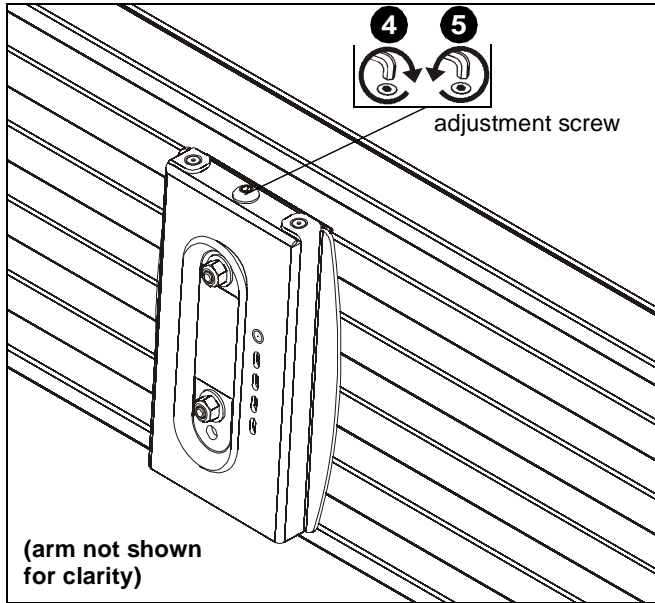


Figure 3

**K1S220**

1. Verify mounting brackets on OFBU bracket can move freely. (See Figure 4)

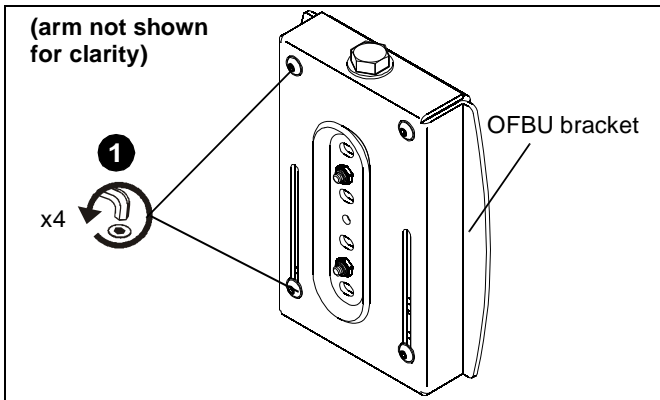


Figure 4

2. Locate desired installation location and slide upper mounting plate into wall making sure bracket is seated in channel bottom. (See Figure 5)
3. Let lower mounting plate rest against wall.
4. Using 1/2" socket, tighten tension hex head bolt until lower mounting plate slides into channel in wall and continue tightening until resistance is felt. (See Figure 5)

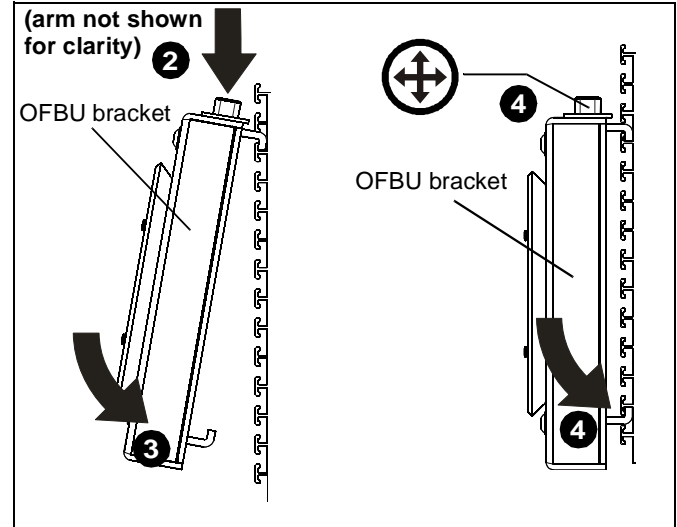


Figure 5

5. Tighten two upper and lower button head cap screws to secure OFBU bracket to wall. (See Figure 6)

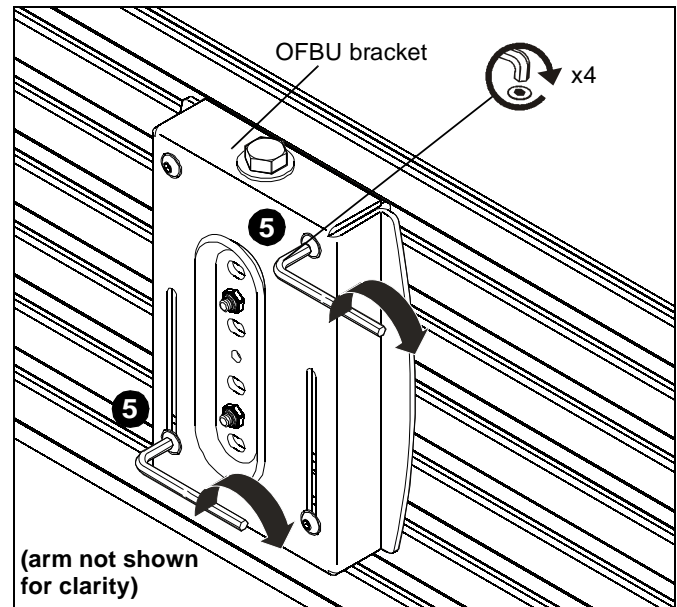


Figure 6

**IMPORTANT !** : If the display being installed has a recessed mounting surface, the display must be assembled to the mount prior to mount installation. See *Display Installation* in this document before proceeding.

### Array Installation (K1W22H/K1S22H ONLY)

1. Slide rotational spacer (J10) into opening on array attachment bracket. (See Figure 7)
2. Use 5/16-18 x 3" button head cap screw (J3), two thin steel washers (J8), plastic spacer (J9), pocket washer (J5), pivot pin (J4), pivot point spacer (J12) and 5/16-18 lock nut (J6) to secure array (J1) to K1 arm (A). (See Figure 7)

**NOTE:** Cable clip (J11) can be used in place of pivot point spacer (J12) if additional cable management is desired. (See Figure 7)

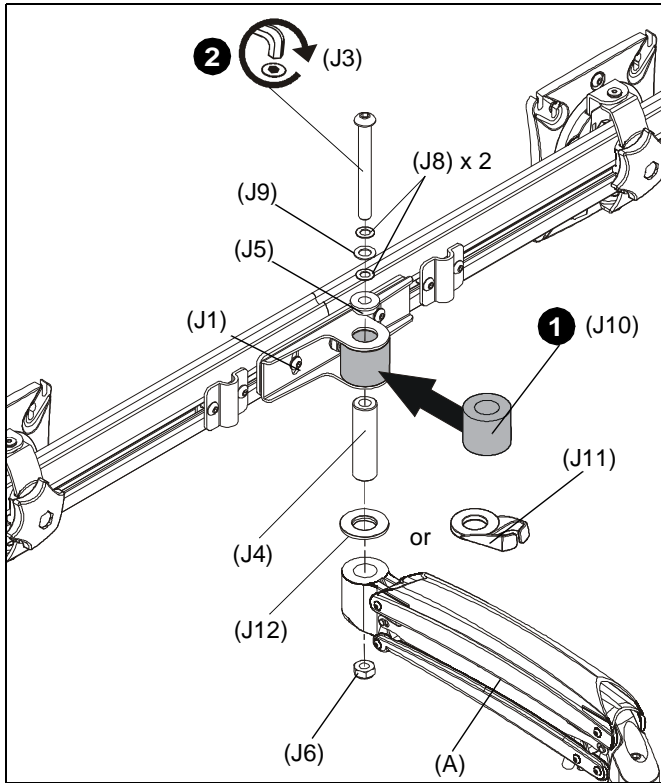


Figure 7

### Display Installation

1. Remove quick release faceplate from mount by pulling quick release lever and sliding faceplate off mount. (See Figure 8)

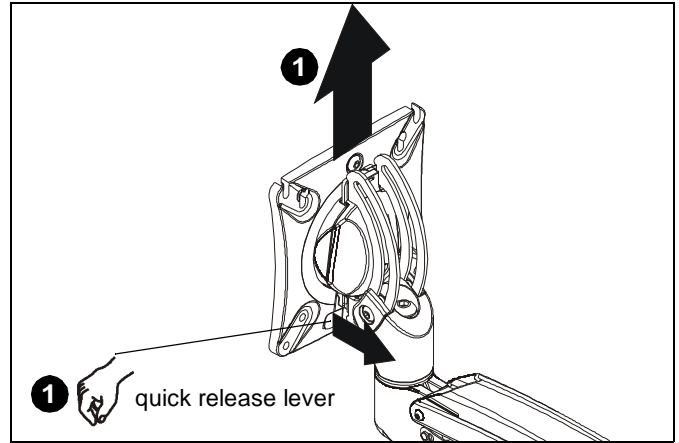


Figure 8



**WARNING:** Exceeding the weight capacity can result in serious personal injury or damage to equipment! It is the installer's responsibility to make sure the combined weight of all components attached to the K1W/K1S Series Monitor Arm up to (and including) the display does not exceed the weight limits listed below. Use with products heavier than the maximum weight indicated may result in collapse of the mount and its accessories causing possible injury.

MODEL	Max Weight Allowed for <u>EACH</u> Display	Max Weight Capacity of Mounting System
K1W110	25 lbs (11.34 kg)	25 lbs (11.34 kg)
K1W120	25 lbs (11.34 kg)	25 lbs (11.34 kg)
K1S120	25 lbs (11.34 kg)	25 lbs (11.34 kg)
K1W220	25 lbs (11.34 kg)	50 lbs (22.68 kg)
K1S220	25 lbs (11.34 kg)	50 lbs (22.68 kg)
K1W22H	9 lbs (4.08 kg)	18 lbs (8.16 kg)
K1S22H	9 lbs (4.08 kg)	18 lbs (8.16 kg)

2. Carefully place display face down on protective surface.
3. Connect faceplate to display

For flush mounting hole installation:

- Using Phillips screwdriver, carefully install four M4x14mm screws (B) through corresponding holes on faceplate and into the mounting holes on the display. (See Figure 9)

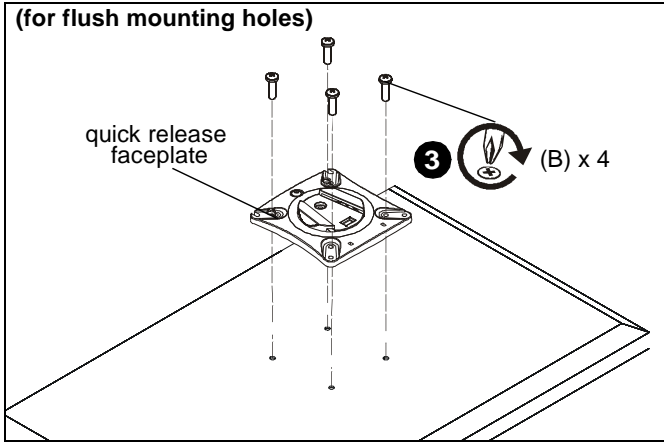


Figure 9

For recessed mounting hole installation:

- Place four spacers (D) on top of mounting holes on back of display. (See Figure 10)
- Using Phillips screwdriver, carefully install four M4x25mm screws (C) through corresponding holes on faceplate, spacers (D) and into the mounting holes on the display. (See Figure 10)

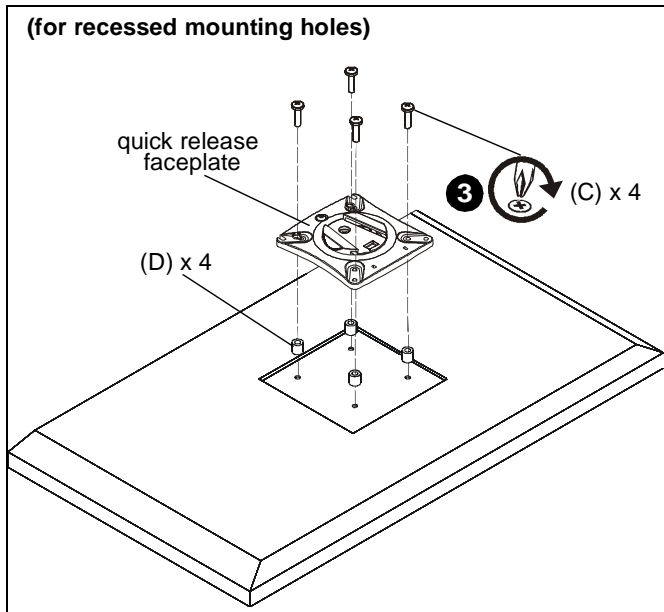


Figure 10

4. Position display with faceplate attached above mount. (See Figure 11)
5. Slide faceplate onto mounting head until quick release tab clicks into place. (See Figure 11)

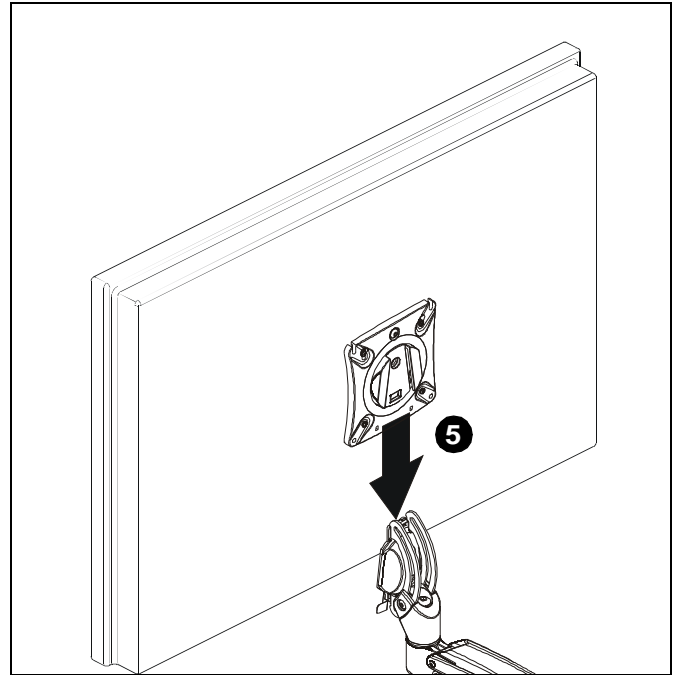


Figure 11

**Handle Installation (K1W22/K1S22 models only)**

1. Loosen four screws securing handle brackets to K1W22/K1S22 array. (See Figure 12)
2. Install uprights of handle (J2) into handle brackets located on the back of array. (See Figure 12)

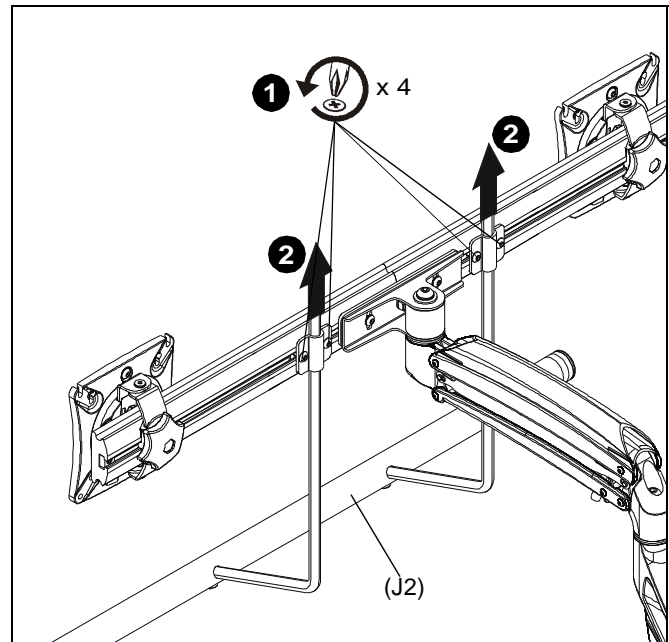


Figure 12

- Position handle (J2) at desired height and secure by tightening button head cap screws attaching handle brackets to array. (See Figure 13)

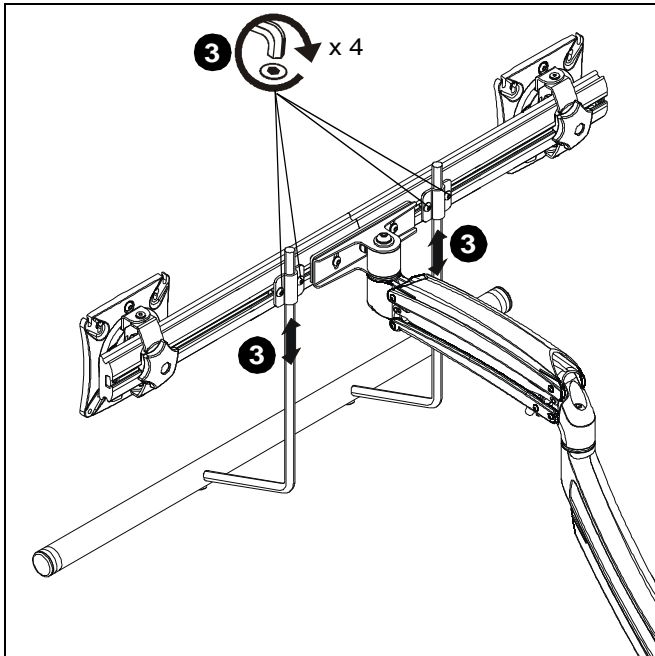


Figure 13

**Adjustments**

**Pitch Adjustment (non-array models)**

- Adjust pitch to desired tilt position. (See Figure 14)
- Adjust pitch tension screw to change the adjustment tension. (See Figure 14)

**Pivot Adjustment (non-array models)**

- Adjust pivot position as desired. (See Figure 14)
- Use 3/16" hex key (M) to adjust pivot point tension screws to change pivot adjustment tension. (See Figure 14)

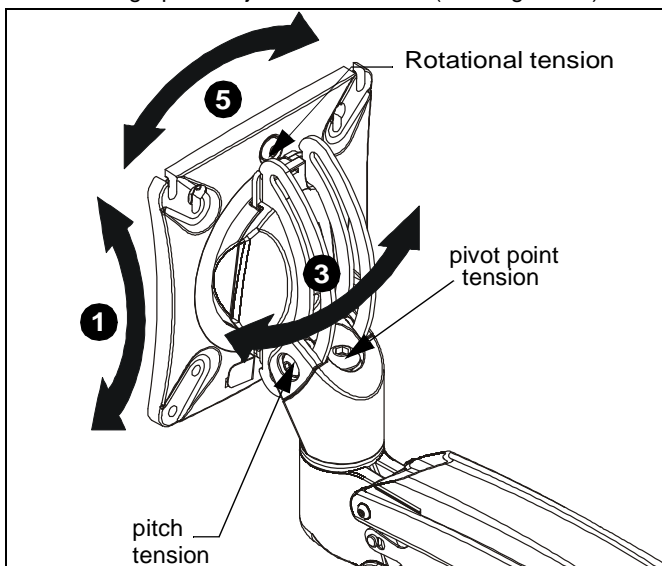


Figure 14

**Rotational Adjustment**

**NOTE:** (Optional) Rotational adjustment may be locked by installing rotational locking screw (L) into back of faceplate. (See Figure 15)

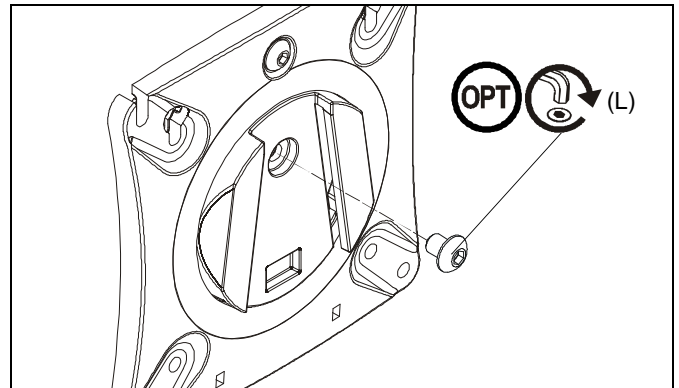


Figure 15

- The monitor may be adjusted 90 degrees in either direction in order to provide a portrait view of the monitor. (See Figure 14)
- Use 3/16" hex key (M) to adjust rotational adjustment screw to adjust rotational tension. (See Figure 14)

**Lift Arm Tension Adjustment**

- Use 3/16" hex key (M) to adjust lift arm tension adjustment screw. (See Figure 16)

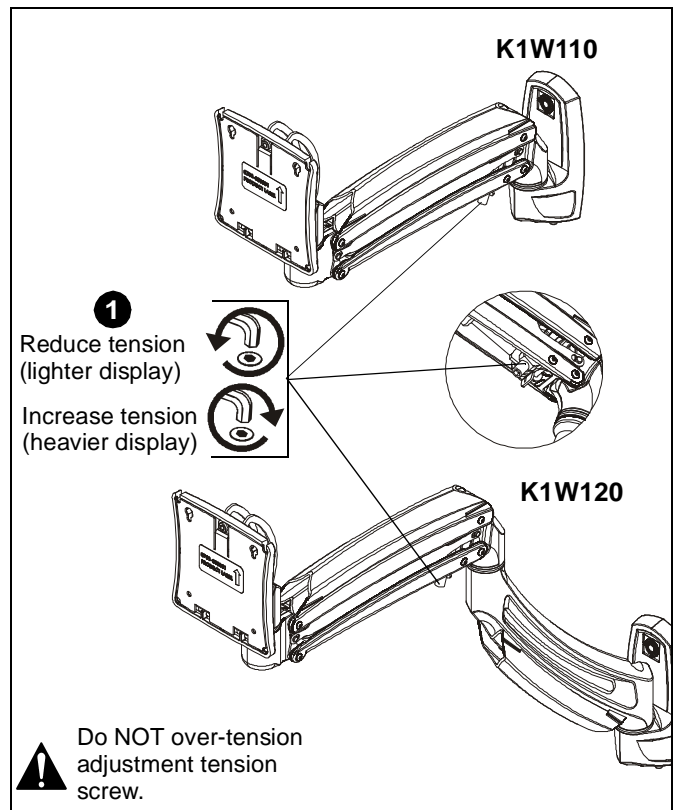


Figure 16

**NOTE:** Tension may also be adjusted with upper tension adjustment screw inside cable management cover and 1/8" hex key (N). (See Figure 17)

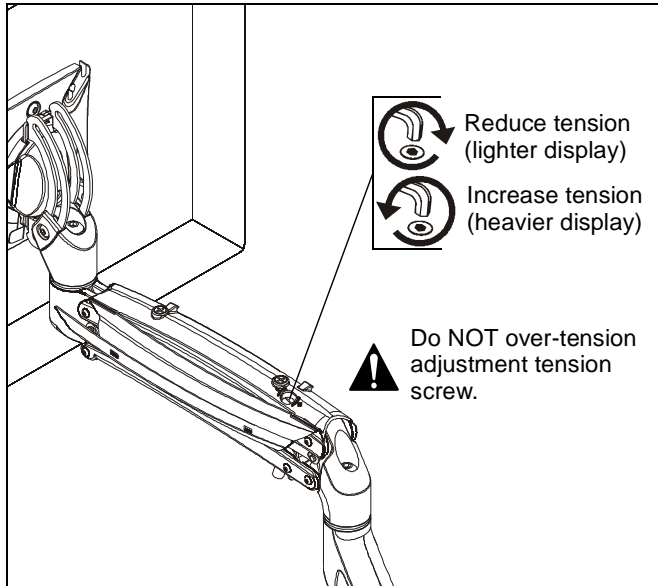


Figure 17

**Adjustments - K1W22H/K1S22H models only**

**Display Adjustments**

1. Loosen knobs securing faceplates to array. (See Figure 18)
2. Slide displays laterally on array to adjust lateral shift. (See Figure 18)
3. Adjust pitch and pivot position as desired. (See Figure 18)
4. Tighten knobs to secure faceplates in position. (See Figure 18)

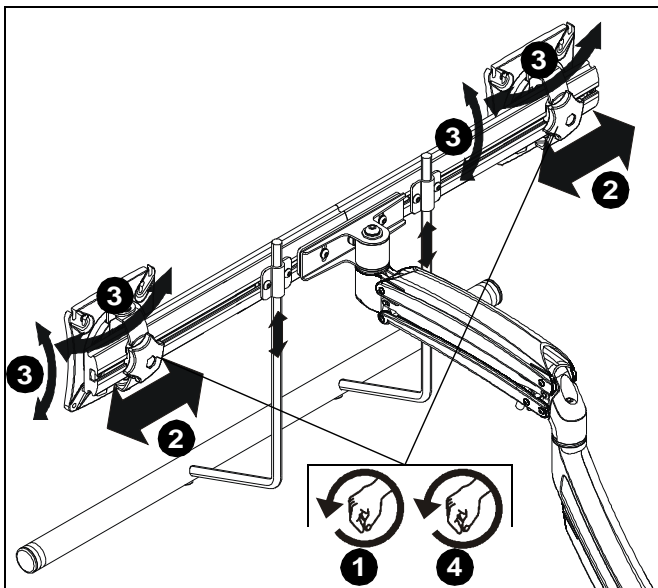


Figure 18

**Array Bar Roll Adjustment**

1. Loosen roll adjustment screws on back of array bracket. (See Figure 19)
2. Adjust roll of array bar as desired. (See Figure 19)
3. Tighten roll adjustment screws on back of array bracket. (See Figure 19)

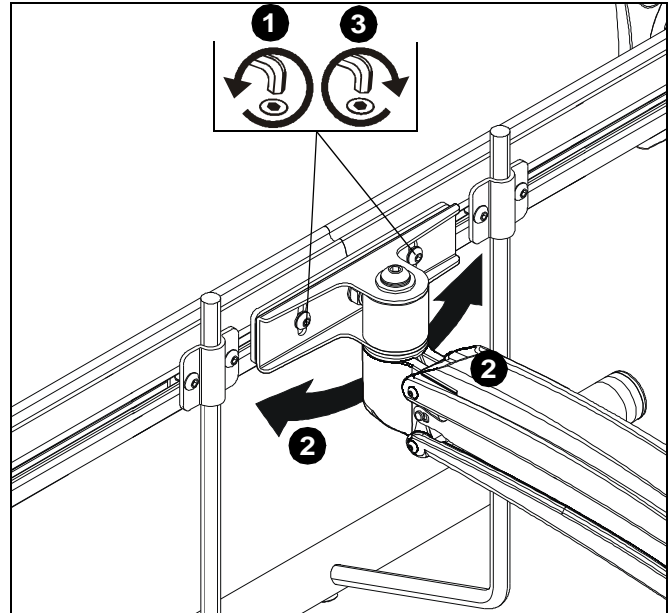


Figure 19

**Display Removal**



**WARNING:** Only remove display from mount when the display can be lifted up from the mount! DO NOT remove display unless the display is in the upright position! (See Figure 20)

1. Make sure display is in the upright position.
2. Remove quick release faceplate from mount by pulling quick release lever and sliding faceplate off mount. (See Figure 20)

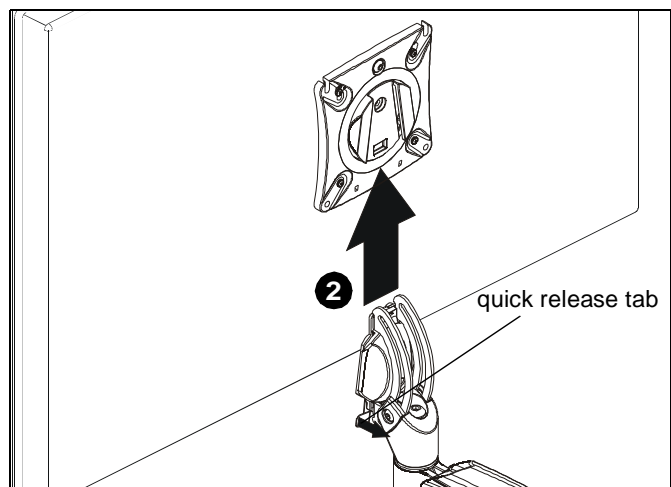
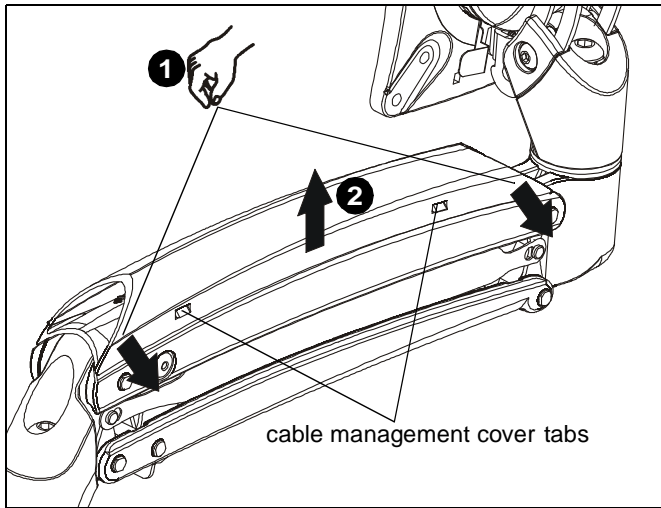


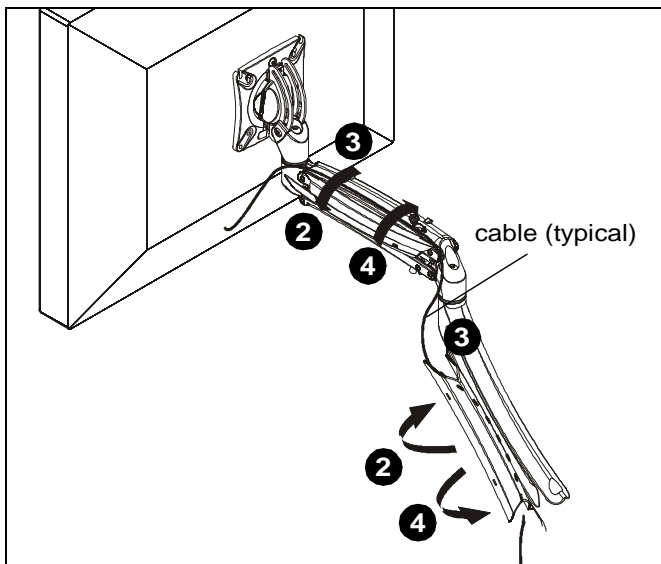
Figure 20

**Cable Management**

1. Press insides of cable management covers at both ends to unhinge tabs on either end of cable management cover on upper arm. (See Figure 21)
2. Lift cable management cover up until tabs are unhinged and cover is in the "open" position. (See Figure 21)



**Figure 21**



**Figure 22**

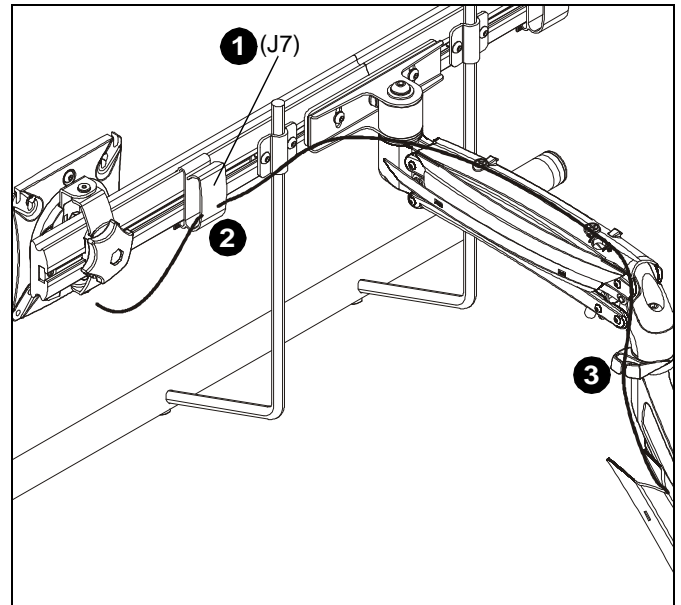
3. Route cables through cable management channels. (See Figure 22)

**IMPORTANT ! :** Be sure to leave enough slack in the cables near display and arm joint to allow for full arm articulation!

4. Close cable management covers on monitor arm. (See Figure 22)
5. Repeat Steps 1-4 for lower arm.

**Array Models**

1. Install array cable clips (J7) to back of array. (See Figure 23)
2. Route cables through array cable clips (J7) as desired. (See Figure 23)
3. Route cables through arm cable clips as desired. (See Figure 23)



**Figure 23**



Our Mounts. **Your Vision.**

Chief, a products division of  
Milestone AV Technologies

8800-002480 Rev04  
©2014 Milestone AV Technologies  
[www.chiefmfg.com](http://www.chiefmfg.com)  
06/14

<b>USA/International</b>	<b>A</b> 6436 City West Parkway, Eden Prairie, MN 55344 <b>P</b> 800.582.6480 / 952.225.6000 <b>F</b> 877.894.6918 / 952.894.6918
<b>Europe</b>	<b>A</b> Franklinstraat 14, 6003 DK Weert, Netherlands <b>P</b> +31 (0) 495 580 852 <b>F</b> +31 (0) 495 580 845
<b>Asia Pacific</b>	<b>A</b> Office No. 918 on 9/F, Shatin Galleria 18-24 Shan Mei Street Fotan, Shatin, Hong Kong <b>P</b> 852 2145 4099 <b>F</b> 852 2145 4477

